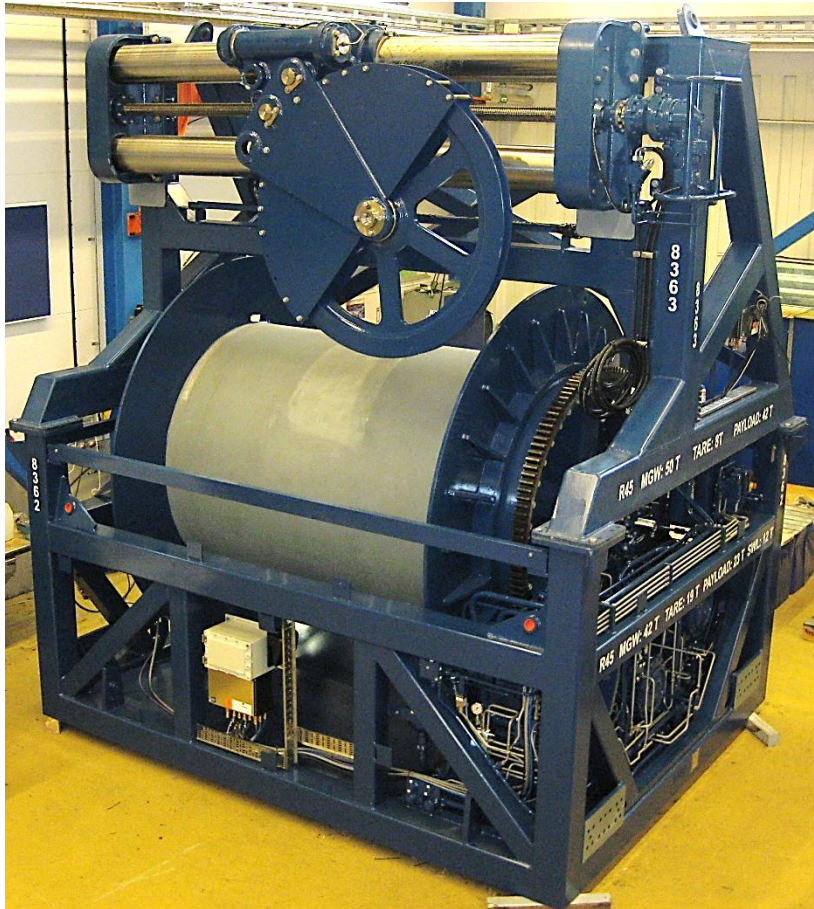


# LIDAN



## Offshore

Within this segment Lidan Marine supplies Launch and Recovery Systems for ROV's designed for submersion down to 6 000 meters' depth. A vast range of umbilical winches, cranes, overhead travelling systems and A-frames has been proven to complete reliability. To increase the equipments accessibility in the toughest of sea conditions Lidan Marine has launched a top-of-the-line AHC technology. The company also provides submersible control and safety systems for the Seismic industry.

## Industry

Lidan Marine supplies tailored winch and handling systems. Examples are high resolution test equipment for helicopters rescue hoists and winches for heavy vehicle test ranges with extreme speed control requirements. The company also supplies a broad range of winches for heavy door handling including redundant safety systems.

## Naval

Lidan Marine is one of the world's leading suppliers of advanced handling equipment for naval vessels. The company has focused on proving dependable multi purpose systems that are light and compact. The customers can access a wide portfolio of proven technology for handling equipment in the area of MCM and ASW.

## RoRo

Lidan Marine is, by supplying roughly 70 % of the world market, the global leader in deign and manufacture of handling equipment for heavy stern and side ramps for deeps sea RoRo vessels. This larger class of ships usually handles more than 2 500 car equivalent units. The customers require that the systems are equipped with constant tension technology compensating for tide, sea heave and cargo loading and unloading.

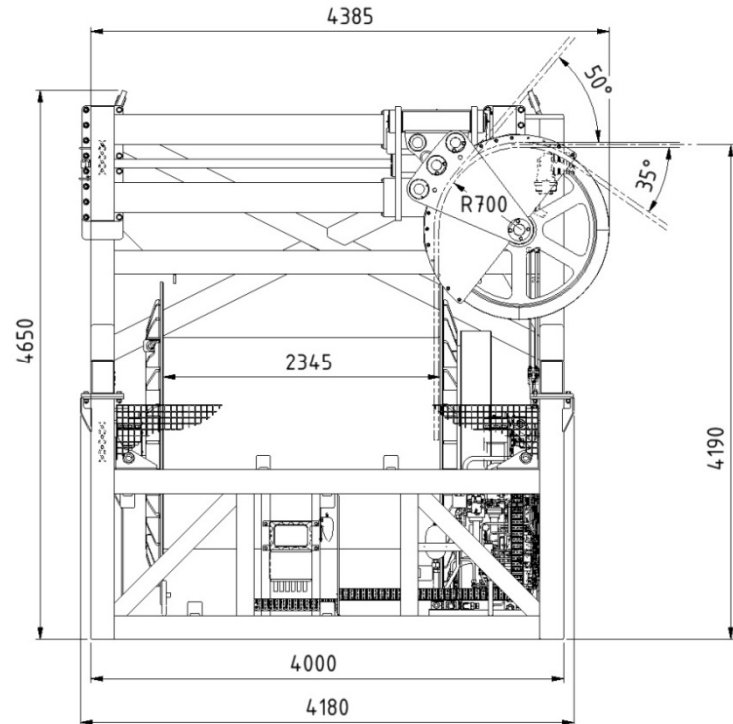
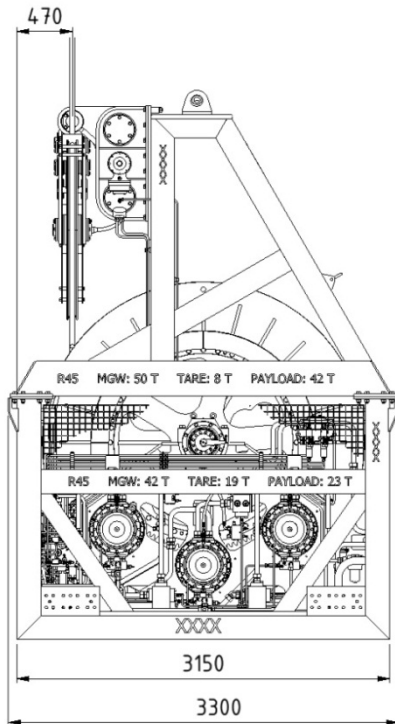
**Lidan Marine AB**

Box 854 SE-531 18 Lidköping, Sweden

**Visit address:** Fiskaregatan 3

**Phone:** +46(0)510 54 52 50

**Email:** info@lidanmarine.com



### WROV Umbilical Winch SWL 12 ton

The equipment is designed in accordance with DNV Standard for Certification No. 2.22 Lifting Appliances, October 2011 and No. 2.7-3 Portable Offshore Units, May 2011, CE and ATEX Zone 2, Group IIB, T3 (option).

Full load Emergency Recovery feasible also with failure of one hydraulic motor and/or one electric motor.

The winch has a Drop-in-drum design for easy change of umbilical.

#### Winch Characteristics:

|                                |  |
|--------------------------------|--|
| SWL:                           | 12 ton (26 450 lbs)                                    |
| Pull top layer:                | 15 ton (33 000 lbs)                                    |
| Pull 2 <sup>nd</sup> layer:    | 20 ton (44 000 lbs)                                    |
| DAF:                           | 3  |
| Design load:                   | 36 ton (79 350 lbs)                                    |
| Line speed:                    | 0 – 61 m/min (0 – 200 ft/min)                          |
| Drum storage capacity:         | 3 800 m, cable Ø40,5 mm<br>(12 470 ft, cable Ø1.59 in) |
| Layers:                        | 10   |
| Drum PCD bottom layer:         | 1 860 mm (6.1 ft)                                      |
| Drum flange diameter:          | 2 730 mm (9.0 ft)                                      |
| Distance between drum flanges: | 2 345 mm (7.7 ft)                                      |
| Power Supply:                  | 2x128 kW (2x174 hp)                                    |
| Weight:                        | 27 ton (59 520 lbs)                                    |



Visit us at [www.lidanmarine.com](http://www.lidanmarine.com)  
or call +46 (0) 510 54 52 50

**Lidan Marine AB**  
Box 854 SE-531 18 Lidköping, Sweden  
**Visit address:** Fiskaregatan 3  
**Phone:** +46(0)510 54 52 50  
**Email:** [info@lidanmarine.com](mailto:info@lidanmarine.com)