

STOR-SKARV (COMPACT) FOR SIDE SCAN SONAR



THE SKARV PRODUCTS

We proudly present our new LARS product range for side scan sonars. Lidan SKARV products are a new evolution of Launch and Recovery Systems. Today the SKARV is available in 4 sizes, with a tow capacity up to 18 kN. Designed for launch and recovery of a Side Scan Sonar from deck down through water surface, and for towing the Side Scan Sonar.

Distinctive features of the SKARV products:

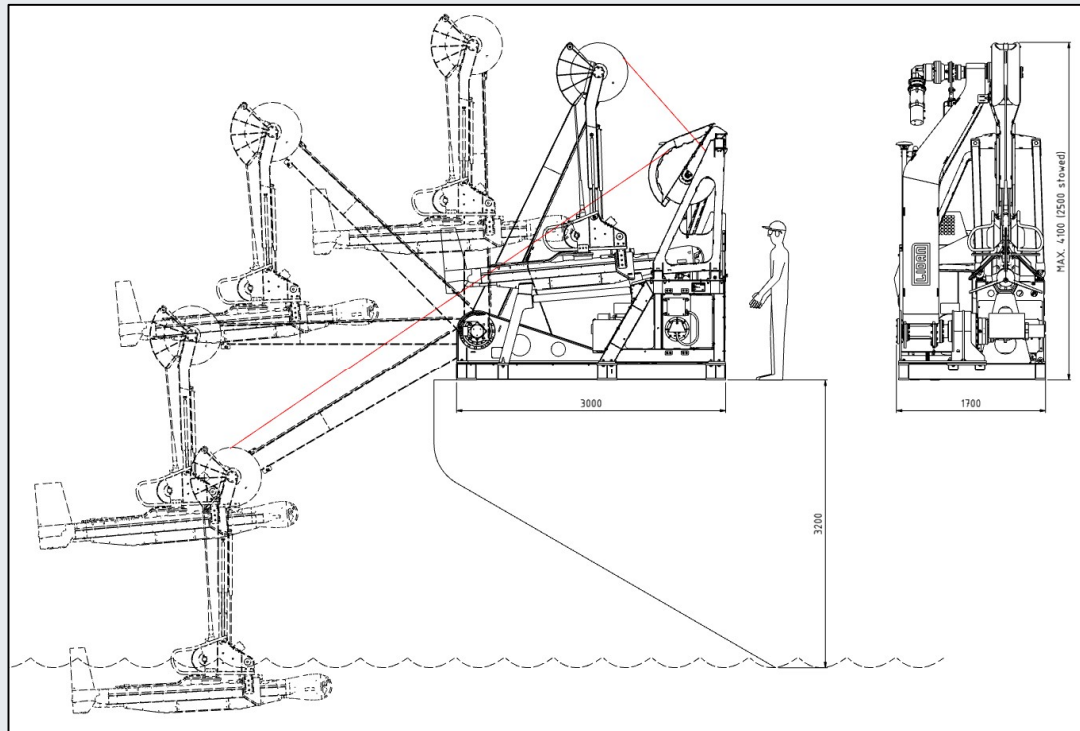
- Easy installation
- Safety for personnel and sonar
- Light weight and modular
- USV ready

USV's come with high demands on light weight, minimum foot print and reliability. Lidan Marine is working with leading USV manufacturing companies to deliver LARS equipment to meet the latest technology. The equipment is designed to be ship integrated on e.g. USV's, and to be remotely operated.





STOR-SKARV (COMPACT) FOR SIDE SCAN SONAR



Stor-SKARV (compact) for Side Scan Sonar

The Stor-SKARV for Side Scan Sonar is a complete Launch and Recovery System that combines Winch & Launch-Frame with a saddle, mounted on a base frame. The system is designed for launching a Side Scan Sonar from deck level down into the water aft of the vessel and for towing the Side Scan Sonar. During towing operation the saddle is raised out of the water. Intended for side scan sonar's up to a length of 3000 mm and a weight of 375 kg.

Optional:

- Winches for different cable length and diameter are available
- Upgradable to autonomous operation
- Various docking saddles available depending on Side Scan Sonar.

L-Frame (w. baseframe) Characteristics

Side scan sonar length:	Up to 3000 mm (9.8 ft)
Side scan sonar weight:	Up to 375 kg (827 lbs)
Safe towing load:	18kN (4040 lbf)
Footprint dimensions:	3 m x 1,7 m (9.85 x 5.58 ft)
Outreach (towpoint):	3 m (9,85 ft)
Freeboard height:	Max. 3 m (9.8 ft)
Approx weight (excl. umbilical):	1800 kg (3970 lbs) Incl. Winch (excl. umbilical)

Winch Characteristics TW3500

Towing force:	18kN (4040 lbf)
Average speed:	60m/min (200ft/min)
Umbilical cable:	300m (985ft) Dia. 15mm (0.590")

Note: Other winches and configurations are available.
Contact Lidan for more information.